



301 E Pierce, Harlingen, TX 78550  
956-423-7015

## **Conditions for Permit for installation of utilities including pipelines, power lines, phone cables, and fiber optic lines on District easements and right of ways.**

1. By no means shall the permitted procedure or its appurtenances interfere or alter the normal and proper operation and maintenance of the District's irrigation system.
2. This permit will be to Permittee (Specific Company) for a (Specific purpose) and is nontransferable without the consent of the Harlingen Irrigation District Cameron County #1.
3. Permittee shall bear full responsibility for any damages to irrigation district facilities resulting from the installation or existence of its (Specific practice) and/or its appurtenances till time indefinite.
4. The District will be held harmless from any liabilities resulting from the construction or existence of said (Specific practice) and its appurtenances.
5. Permittee will agree to modify its facilities at no cost to the District in case of new construction, expansion, or alteration of the Districts irrigation system.
6. The District shall require plans that clearly indicate location of Permittee's (Specific practice) and its compliance with district requirements. **These must be submitted before construction begins.** At completion, "as built" will document compliance with earlier submitted plans. We are not requiring a full survey at this time but do require that actual location of (Specific practice) be tied to specific points of our facilities so we can easily locate the (Specific practice) in the field years from now.
7. There shall be a minimum of four feet (4') clearance beneath all underground irrigation pipelines, irrigation siphons and drainage ditch culverts; a minimum of six feet (6') clearance beneath elevated canal bottoms, borrow ditch bottoms and drainage ditch bottoms; and never less than four feet (4') beneath the surrounding natural ground level beneath canal levees and drainage ditch spoil areas. The clearance depths will be maintained twenty feet (20') from centerline of pipelines and culverts and to the toe of outside berm of canals and drains unless otherwise specified by the District. All overhead lines must have a minimum of thirty-five feet

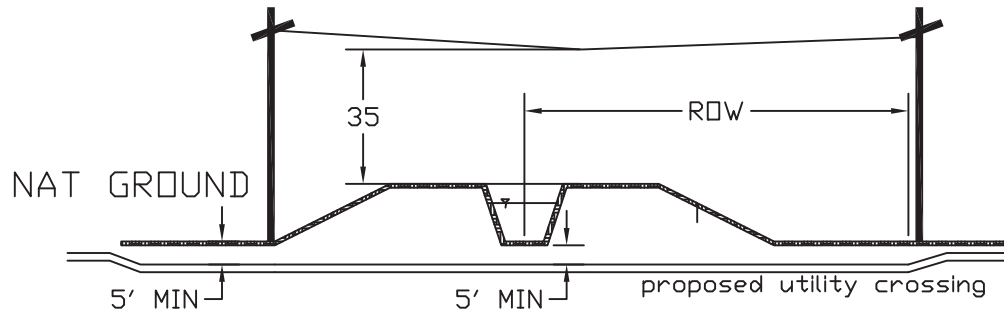


301 E Pierce, Harlingen, TX 78550  
956-423-7015

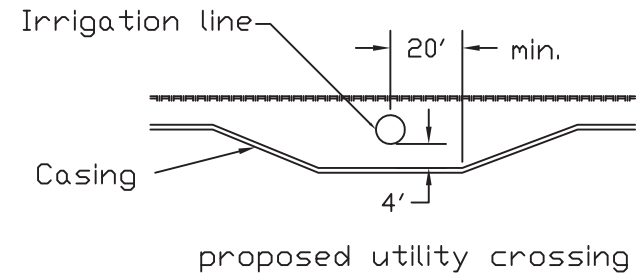
- (35') of clearance above the high point of the levees. The levee and spoil areas will require special treatment by the District dependent on the area of concern.
8. Location of any new signposts located on district right of ways or easements must be specifically agreed to by the District. Signs will be permitted to coexist on existing signposts.
  9. The District will provide any information available in regards to location of district facilities and properties with the understanding that any expenses incurred by District as a result will be borne by permittee.
  10. Permittee will bear the cost of locating district facilities in the field and of an on-site district representative during construction phase when and where the District deems applicable.
  11. Final approval of all conditions will be made by the Harlingen Irrigation District Board of Directors.

# EXHIBIT "A"

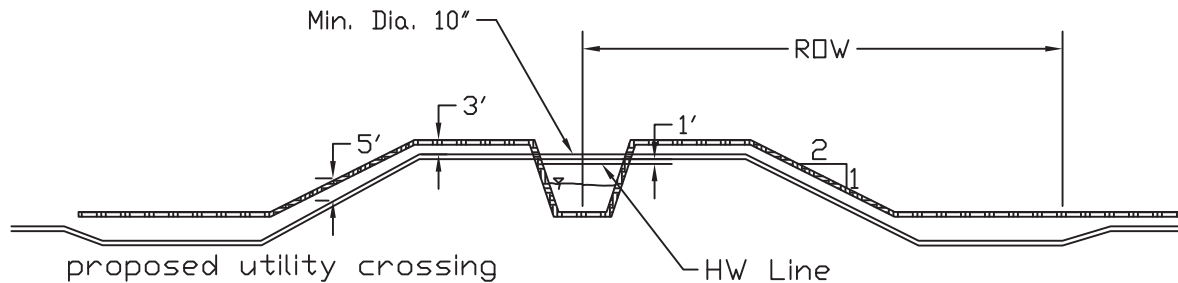
Earthen Canals  
Concrete Canals  
& Drainage Ditches



Boring detail for  
Underground  
Irrigation  
Pipelines

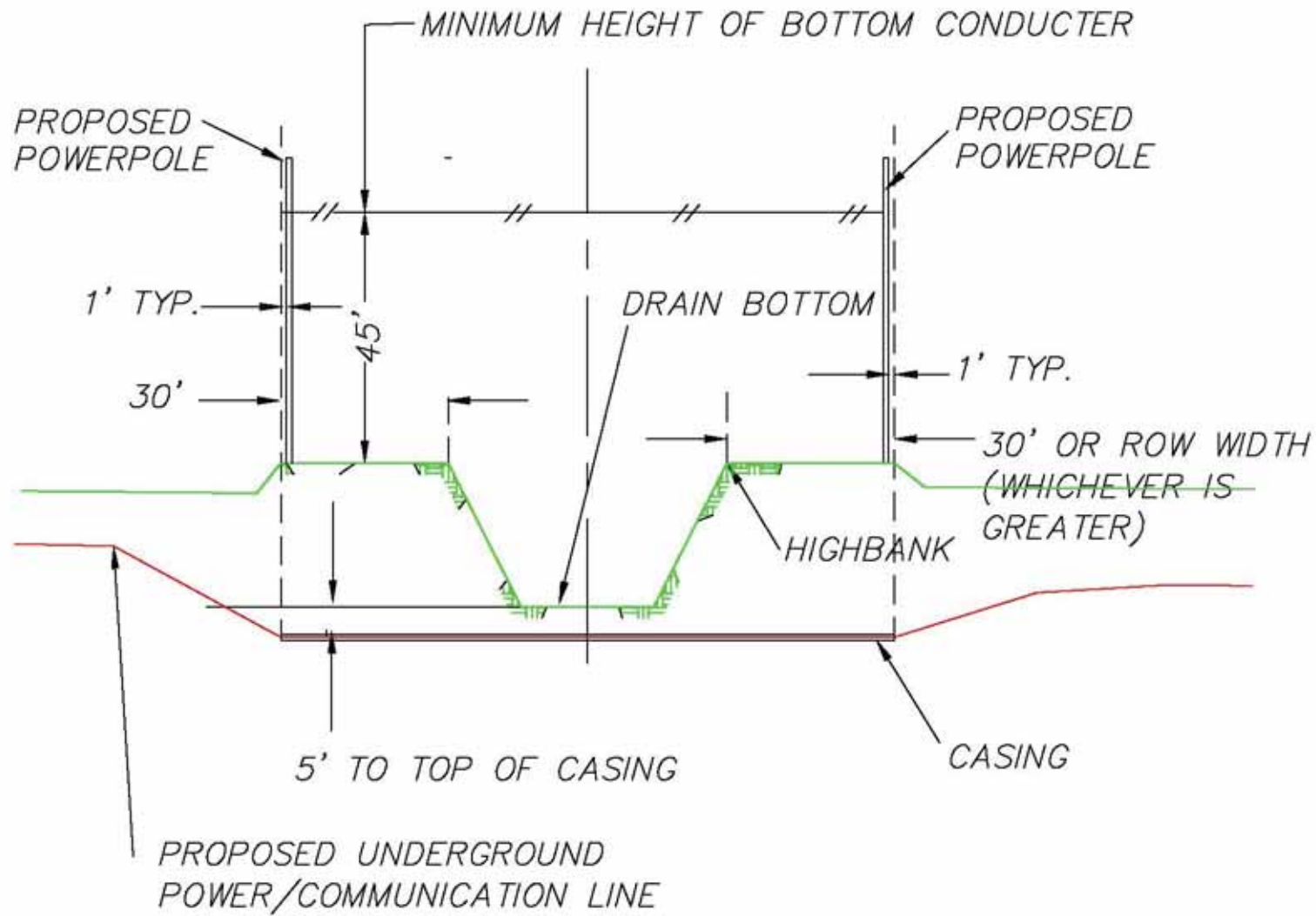


Above Water  
Crossings



Harlingen Irrigation  
District  
Cameron County Irrigation District #1

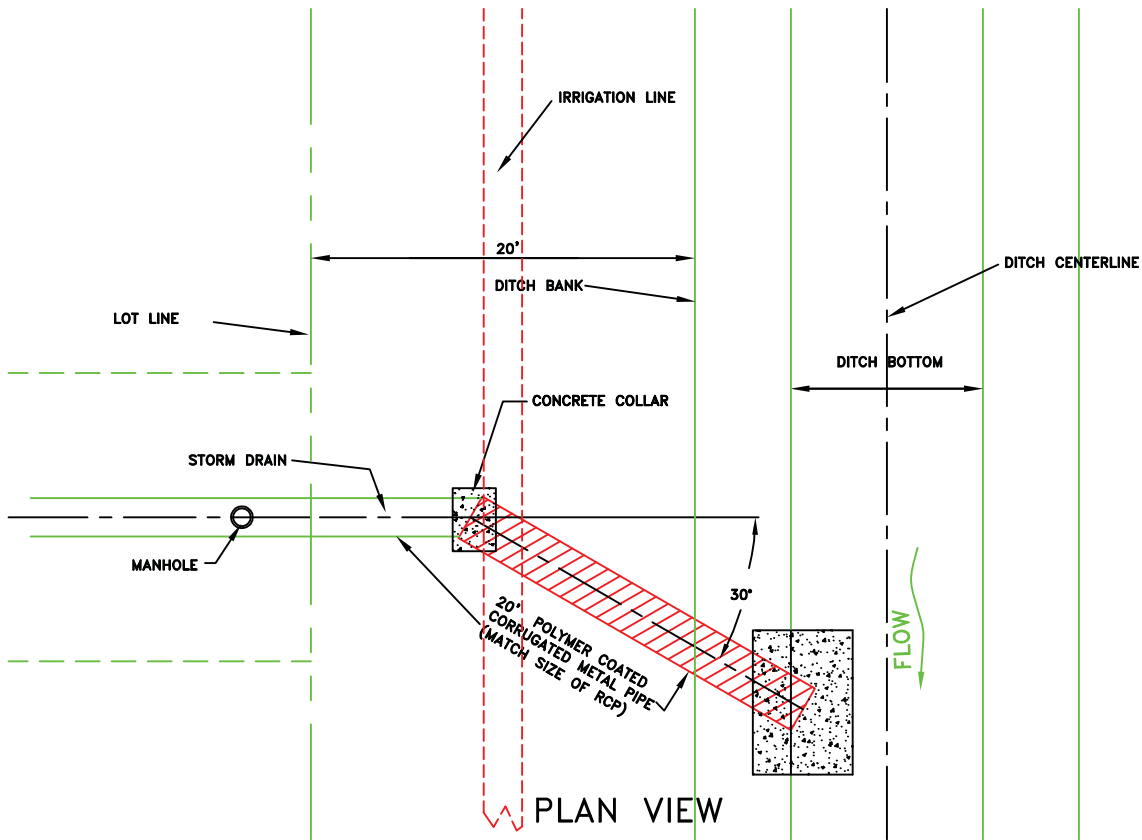
Title:	Utility Crossings	
Drawing:	Drawing #1	
Notes:	Minimum Requirements	Date: 06/25/97
		Scale: 1"=40'
		1/1



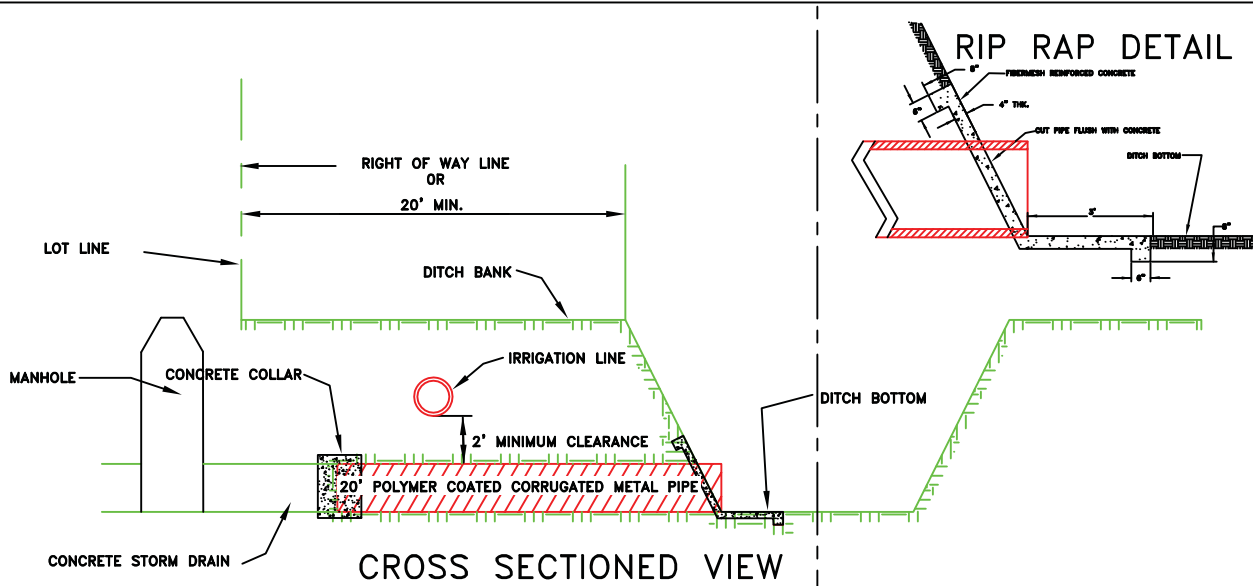
TYPICAL DRAIN X-SECTION/DETAIL

**HARLINGEN IRRIGATION DISTRICT**  
**CAMERON COUNTY NUMBER ONE**  
 301 E. PIERCE STREET - P.O. BOX 148, HARLINGEN, TEXAS 78551  
 PHONE: (936) 423-7015 • FAX: (936) 423-4871

<b>REVISION</b> TYPICAL DETAIL FOR POWER AND COMMUNICATION LINE CROSSINGS OF DRAINAGE DITCHES		
<b>DRAWN BY</b> D. VILFRANCO	<b>DATE DRAWN</b> 10-24-06	<b>DATE REVISION</b> 02-19-09
<b>SCALE</b> 1" = 30'		



PLAN VIEW  
STORM SEWER OUTFALL DETAIL



CROSS SECTIONED VIEW  
STORM SEWER OUTFALL DETAIL

**HARLINGEN IRRIGATION DISTRICT  
CAMERON COUNTY NUMBER ONE**

301 E. PIERCE STREET - P.O. BOX 148, HARLINGEN, TEXAS 78551  
PHONE: (956) 423-7015 \* FAX: (956) 423-4871

**DRAWING DESCRIPTION:** STORM SEWER OUTFALL DETAIL FOR DRAINS MAINTAINED BY THE HARLINGEN IRRIGATION DISTRICT

**DRAWN BY:** D. VILLAFRANCO

**DATE DRAWN:** DEC. 12, 2006

**DATE REVISED:**

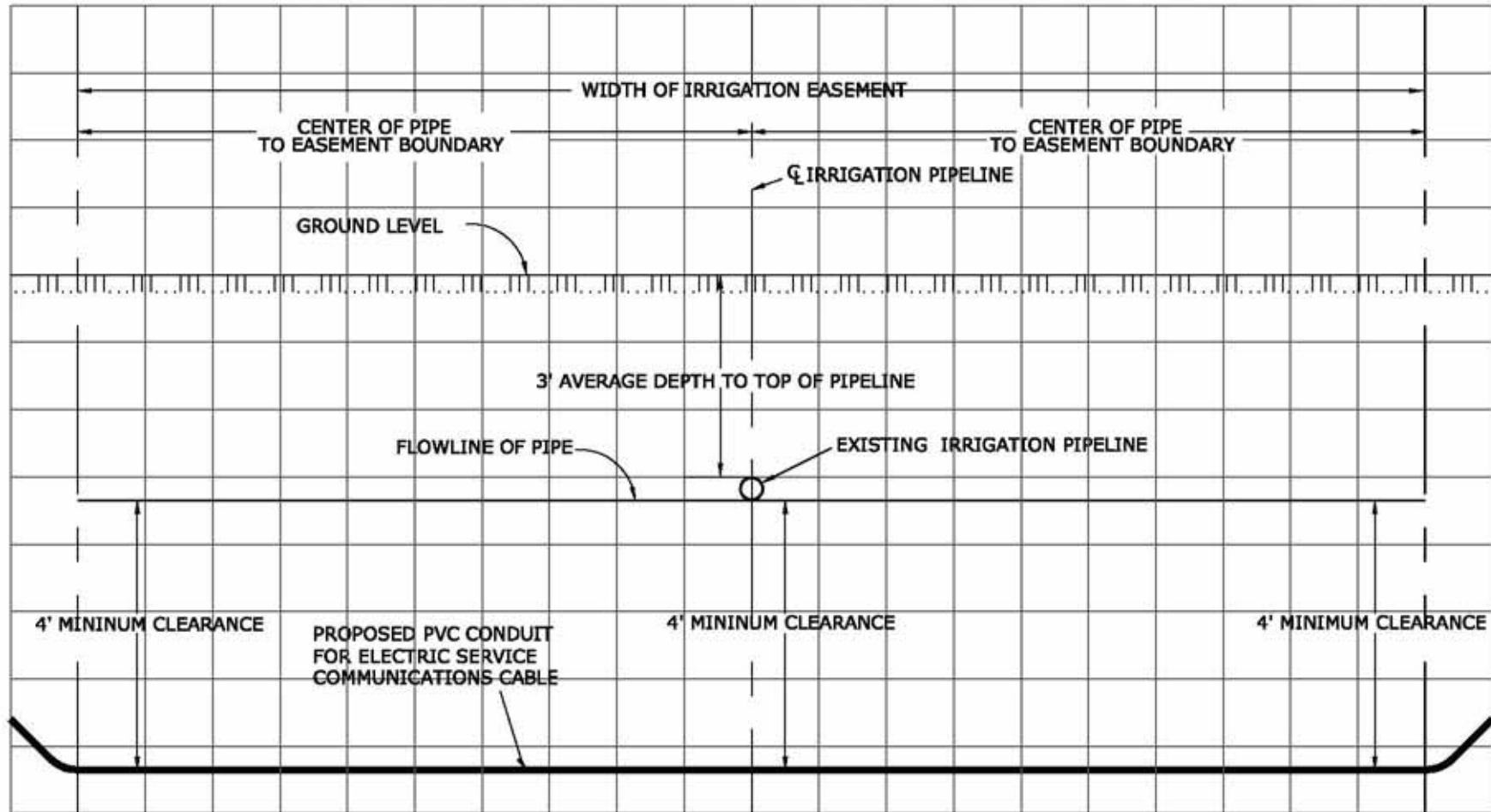
**DRAWING NO.:**

**SCALE:** N.T.S.

# HARLINGEN IRRIGATION DISTRICT CAMERON COUNTY NUMBER ONE

ENGINEERING DEPARTMENT  
301 EAST PIERCE, HARLINGEN, TEXAS 78550  
PHONE (956) 423-7015 \* FAX (956) 423-4671

## MINIMUM STANDARDS FOR UNDERGROUND ELECTRIC, PHONE AND FIBER OPTIC CABLES CROSSING EXISTING UNDERGROUND IRRIGATION PIPELINES



( EXHIBIT- B )

# HARLINGEN IRRIGATION DISTRICT CAMERON COUNTY NUMBER ONE

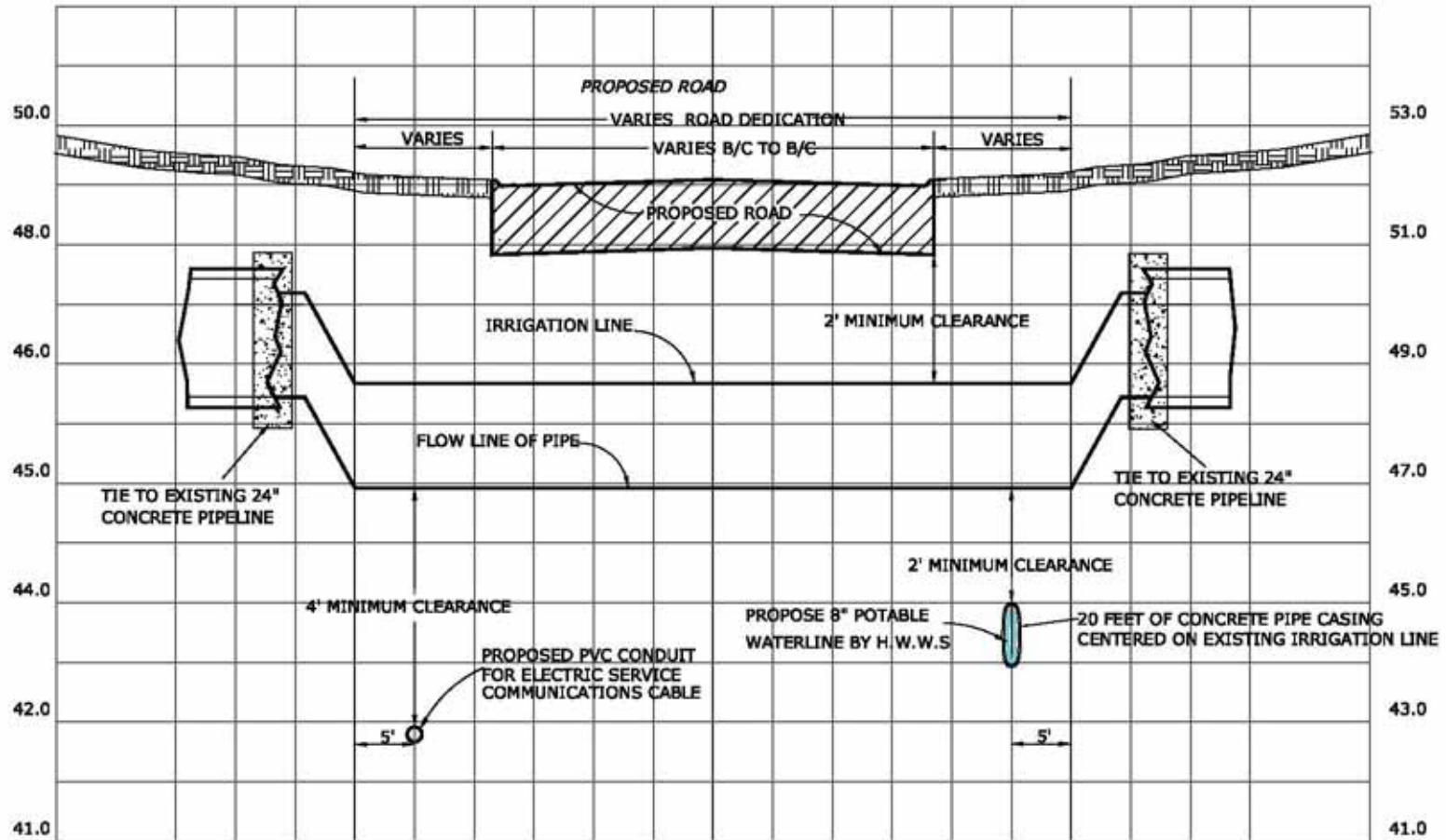
301 EAST PIERCE, HARLINGEN, TEXAS 78550  
PHONE (956) 423-7015 \* FAX (956) 423-4671



( EXHIBIT A )

# HARLINGEN IRRIGATION DISTRICT CAMERON COUNTY NUMBER ONE

301 EAST PIERCE, HARLINGEN, TEXAS 78550  
PHONE (956) 423-7015 \* FAX (956) 423-4671



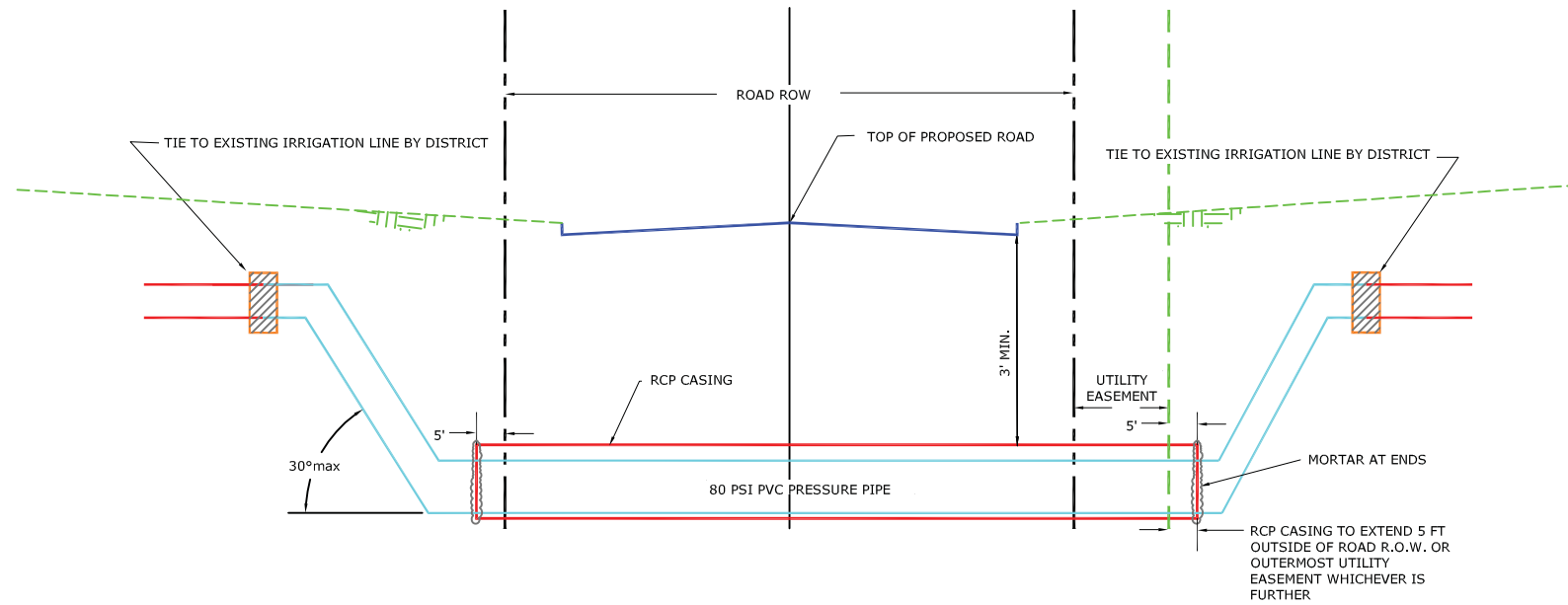
( EXHIBIT A )



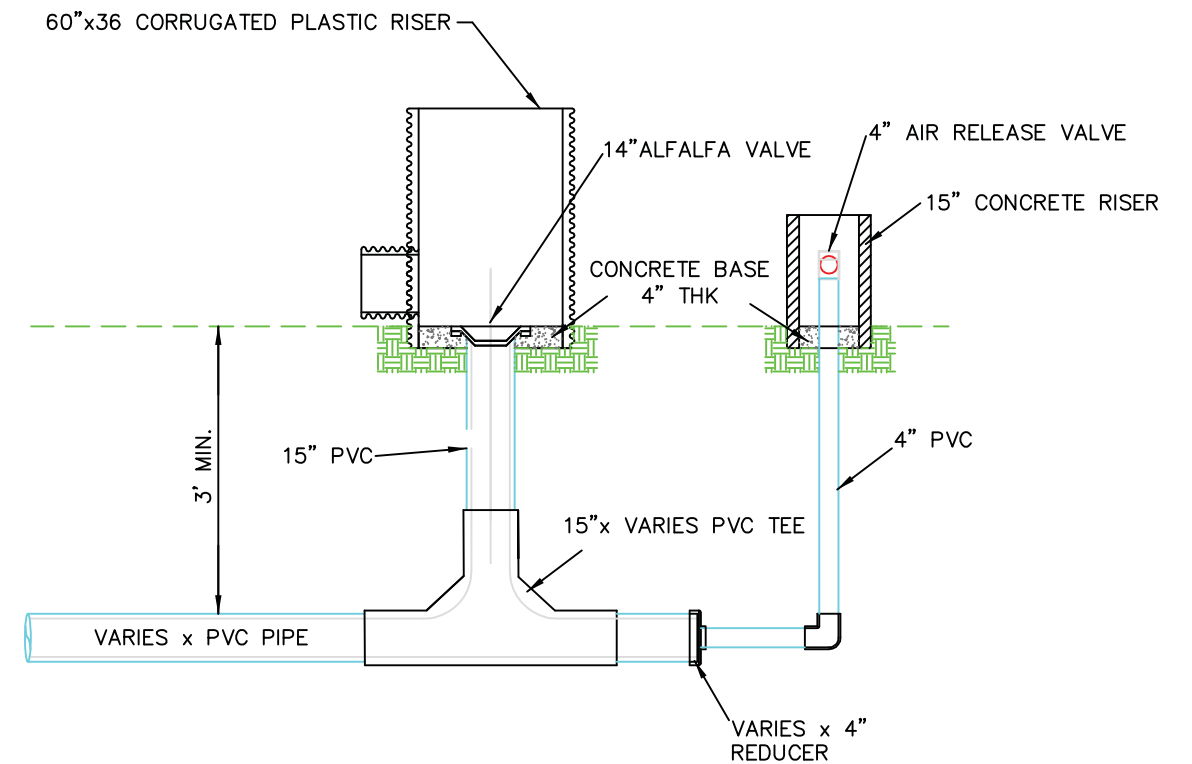
# HARLINGEN IRRIGATION DISTRICT CAMERON COUNTY NUMBER ONE

301 EAST PIERCE, HARLINGEN, TEXAS 78550

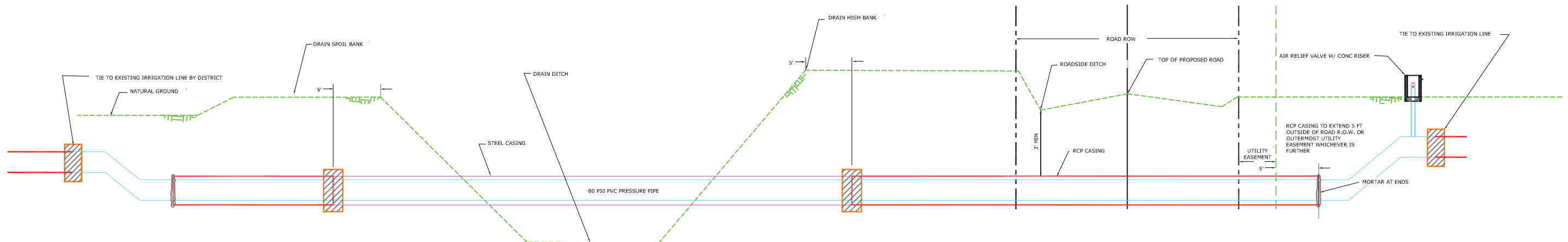
PHONE: (956) 423-7015 \* FAX: (956) 423 4671



**TYPICAL ROAD CROSSING DETAIL**  
N.T.S.



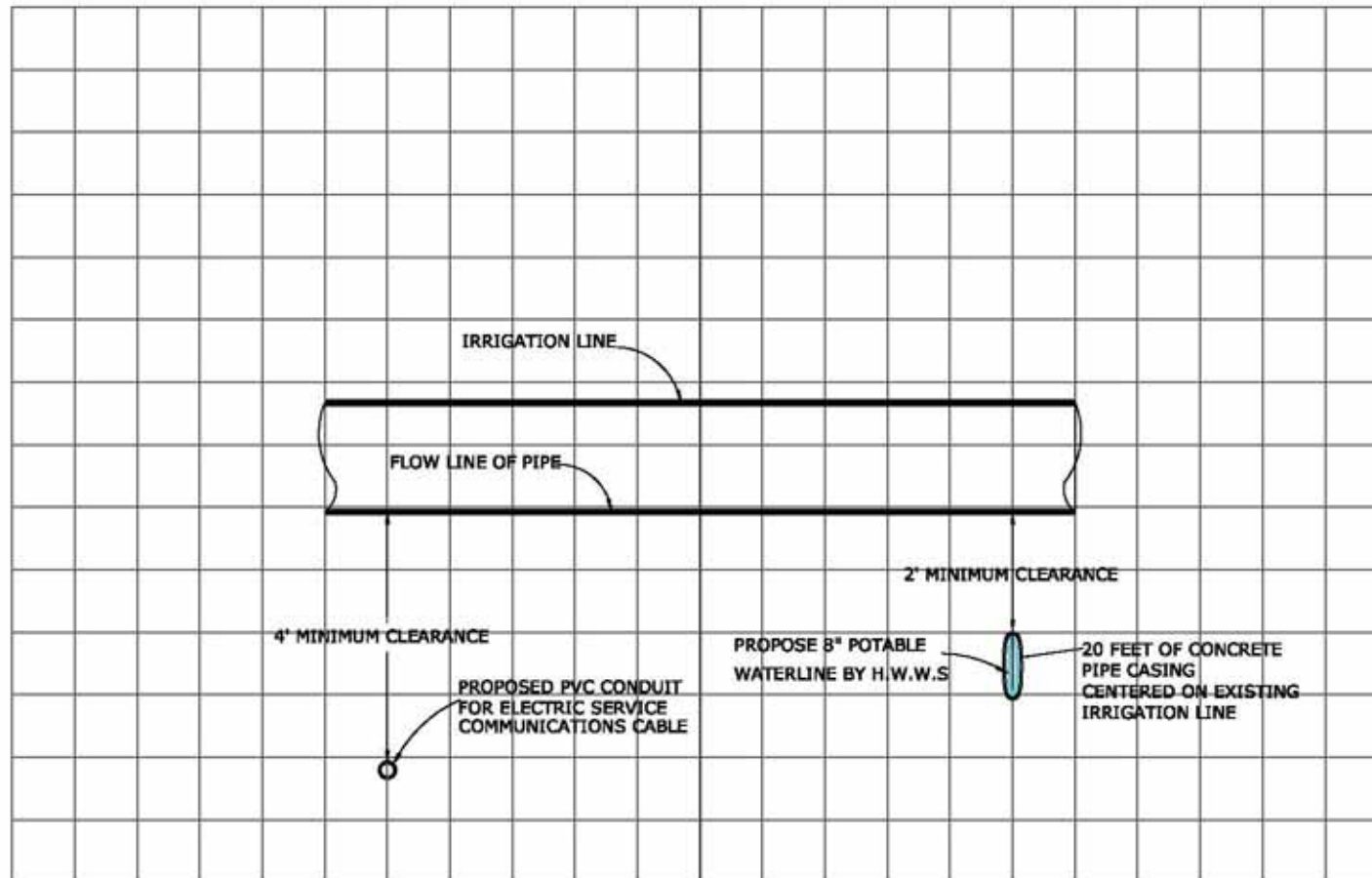
**TYPICAL FIELD TURNOUT DETAIL**  
N.T.S.



**TYPICAL DRAIN DITCH CROSSING DETAIL**  
N.T.S.

# HARLINGEN IRRIGATION DISTRICT CAMERON COUNTY NUMBER ONE

301 EAST PIERCE, HARLINGEN, TEXAS 78550  
PHONE (956) 423-7015 \* FAX (956) 423-4671



( EXHIBIT A )